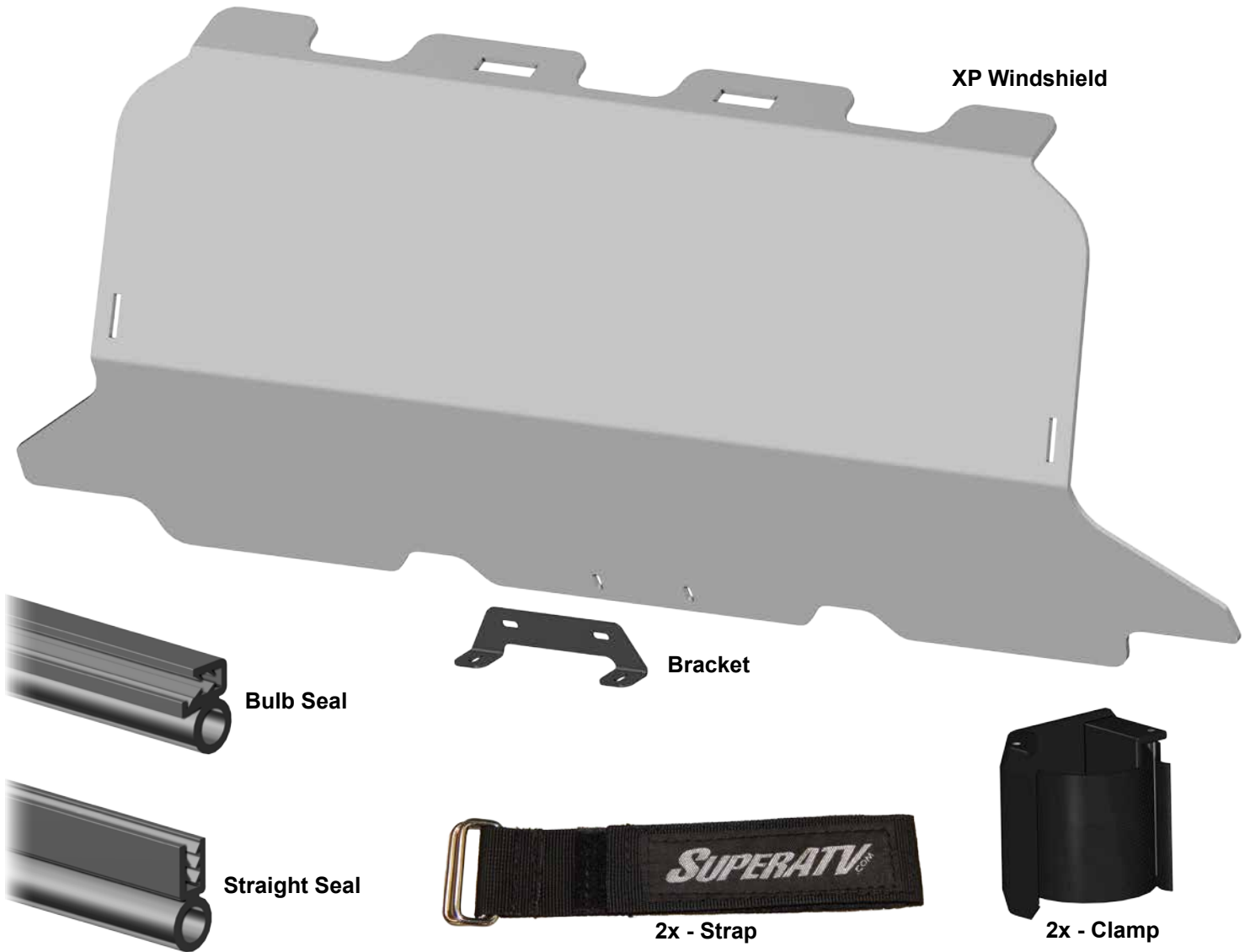


- SuperATV does not recommend keeping Windshield installed while transporting on an open air trailer. Remove or secure with straps.
- This item is not returnable if the protective film has been removed.
- Test fit to the cage to confirm fitment before removing film.



**Need help with your installation?**



sales@superatv.com



www.superatv.com



1-855-743-3427

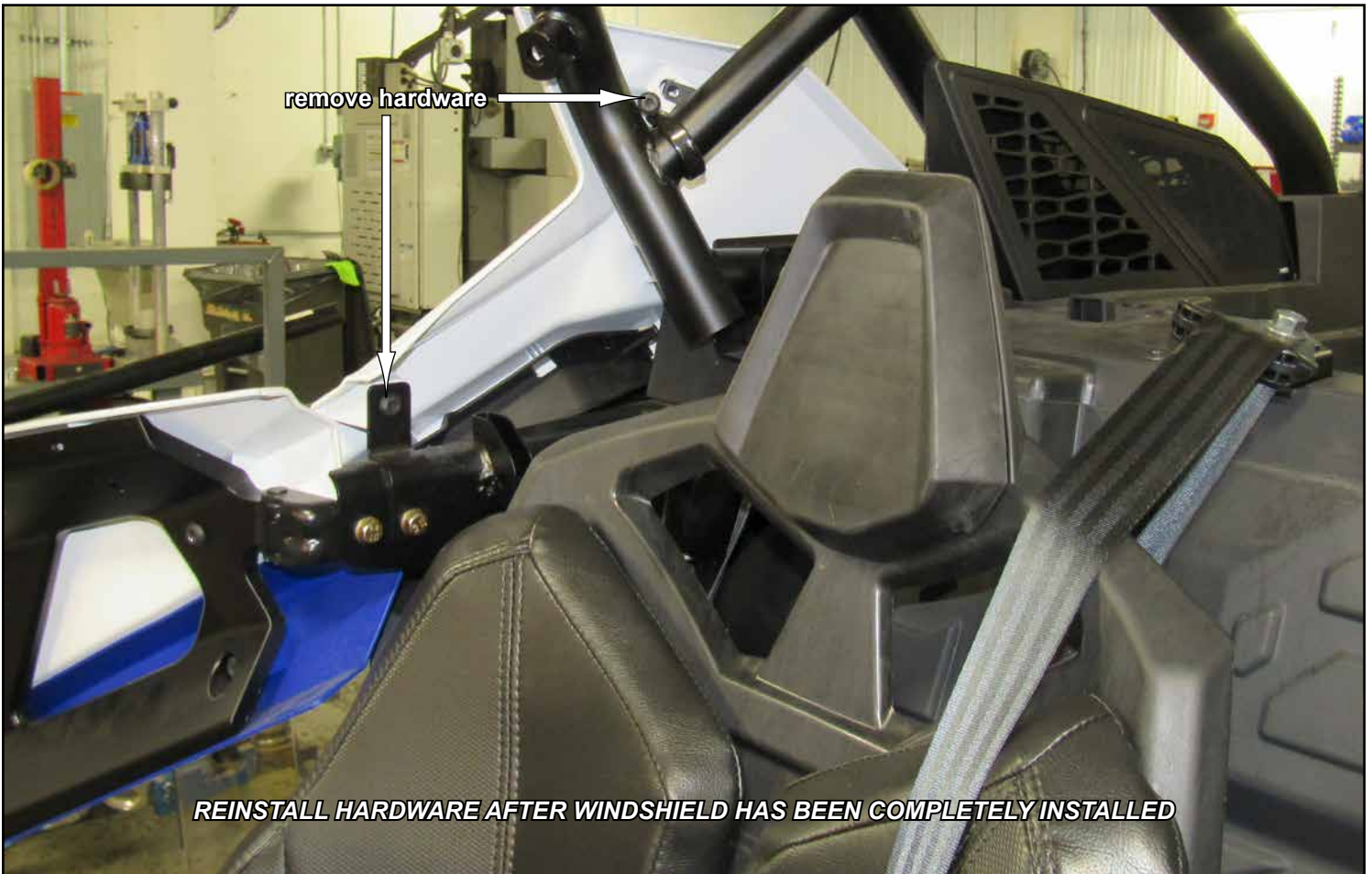
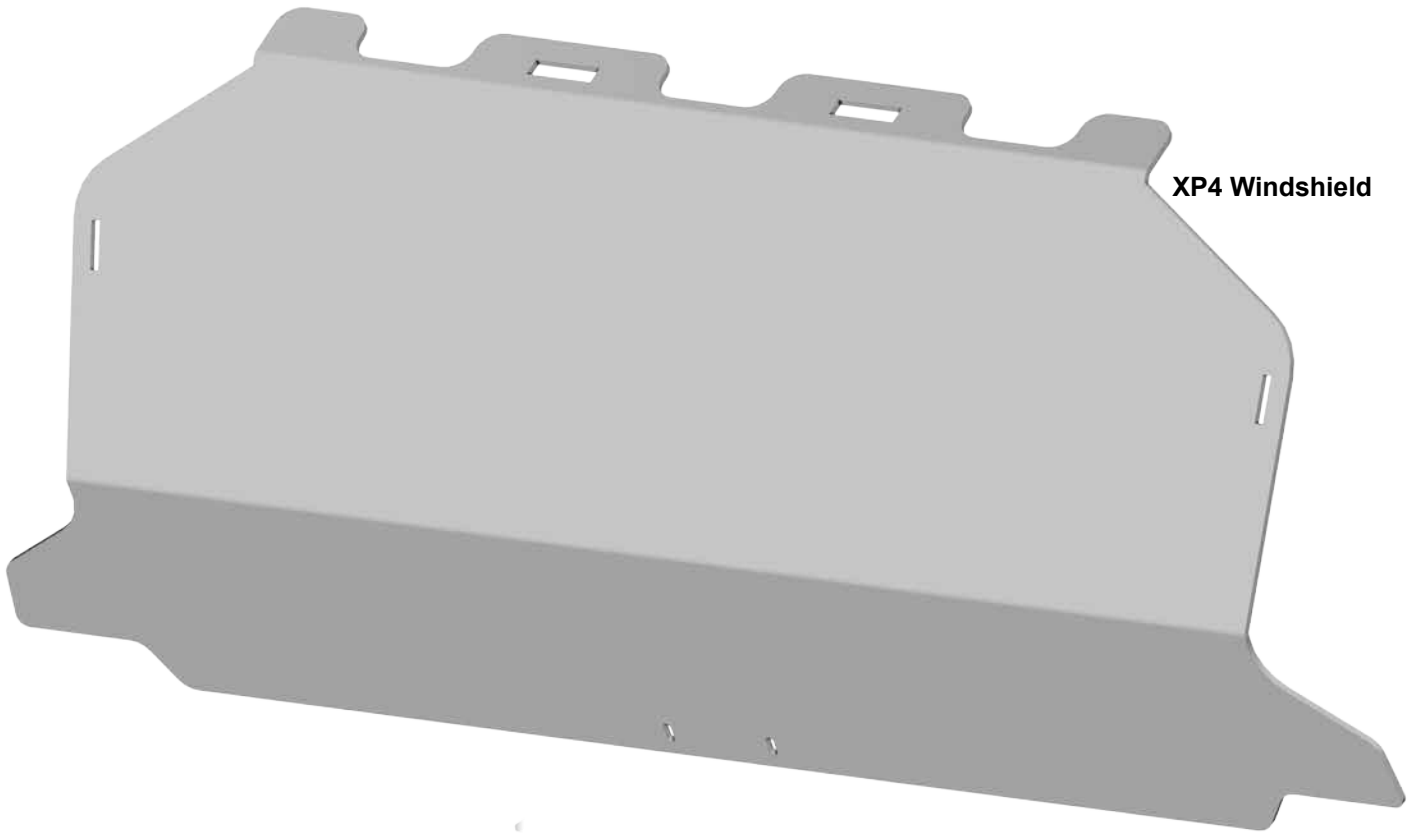


8:00am - 8:00pm EST M-Th  
8:00am - 7:00pm EST Friday  
9:00am - 2:00pm EST Saturday

**Read instructions and view illustrations before beginning.**

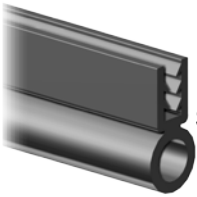
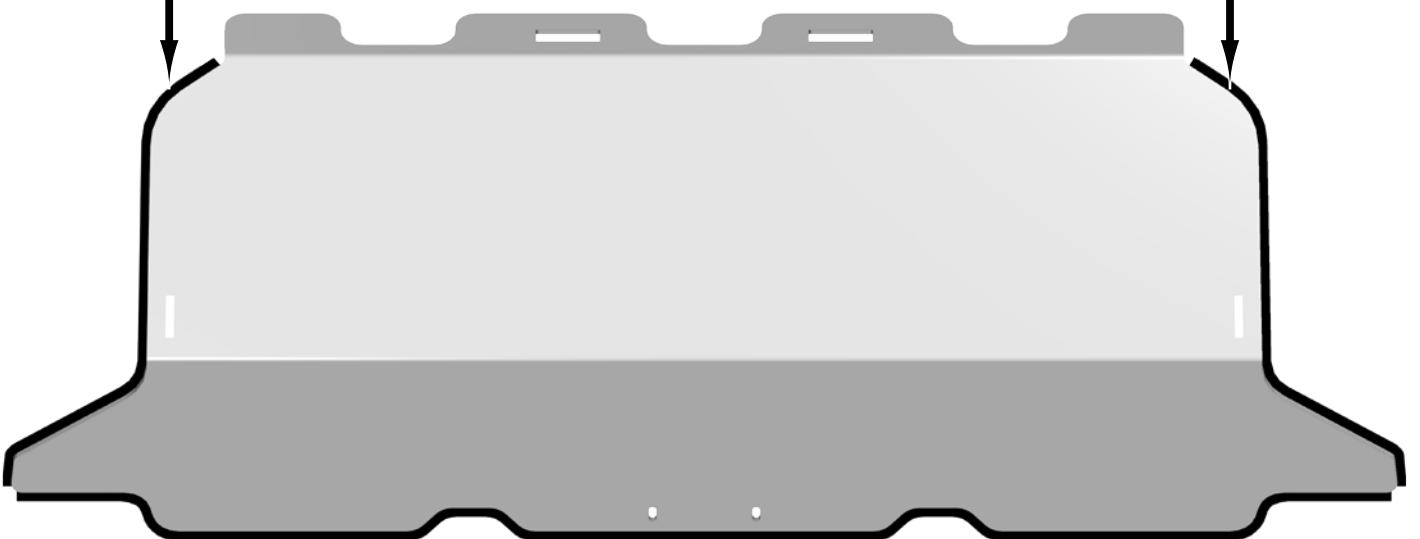
*Thank You  
For Choosing*

**SUPERATV**.COM<sup>®</sup>



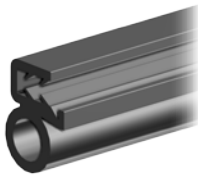
install Bulb Seal to sides of Windshield

install Bulb Seal to sides of Windshield

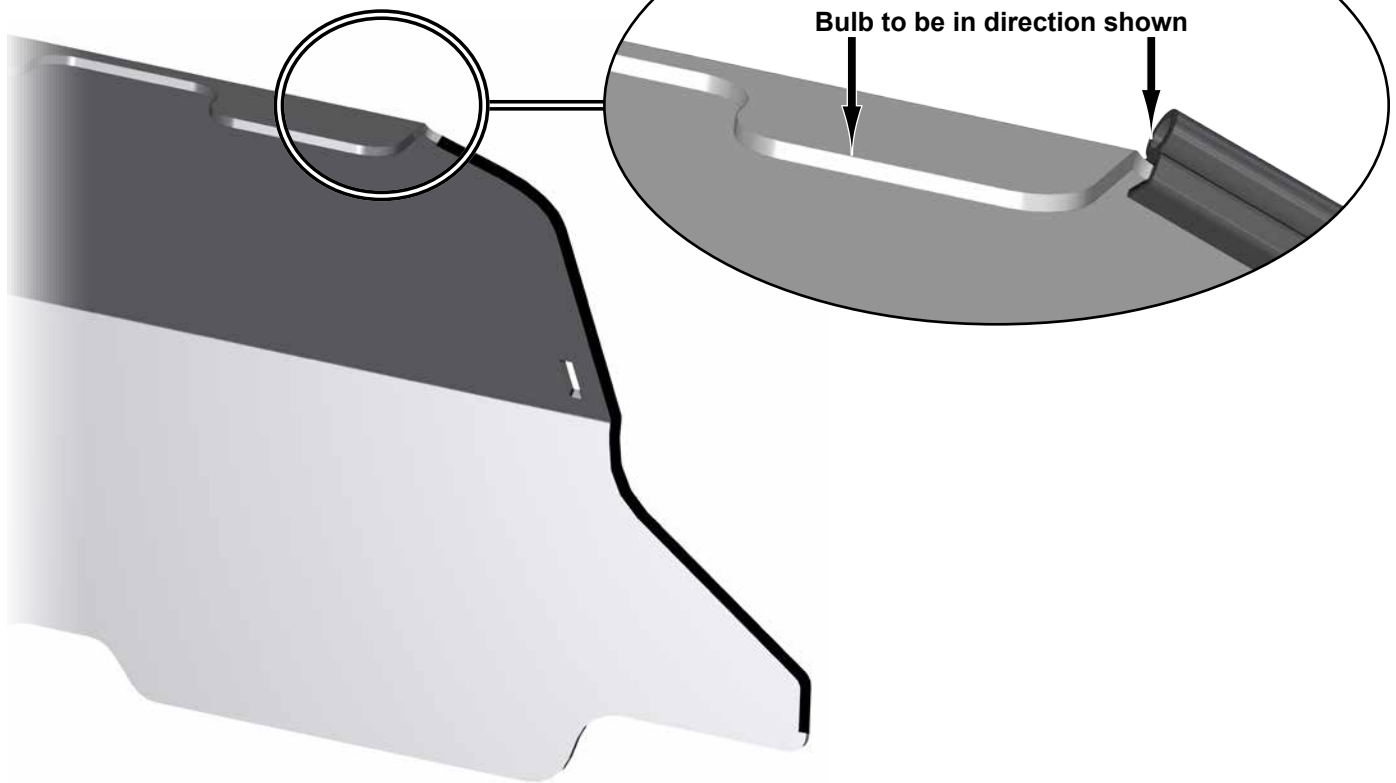


Straight Seal

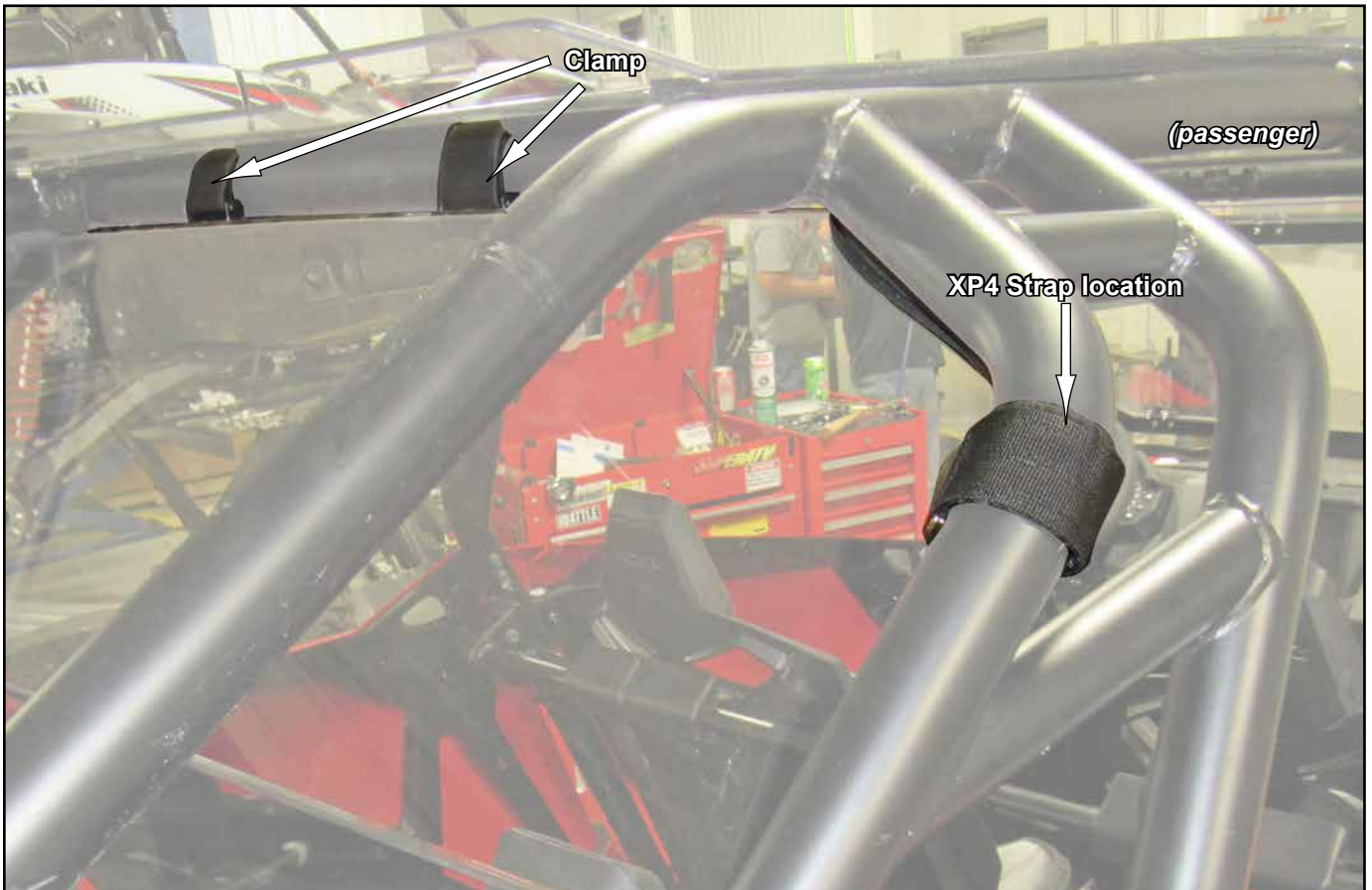
install Straight Seal to bottom of Windshield



Bulb Seal



- Insert Windshield, through passenger side, and **loosely** secure with provided Clamps and Straps.





- Install Bracket to Rear Wall with stock hardware.
- Secure Windshield to Bracket with provided hardware.

